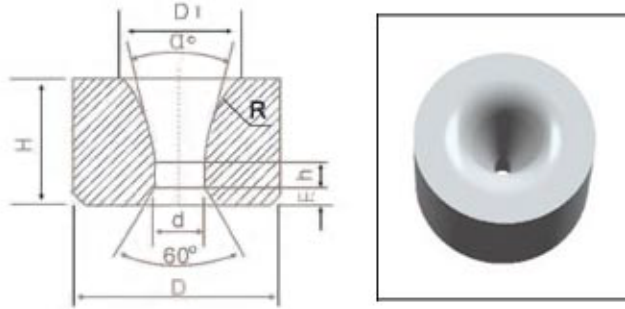




金属线材拉伸模坯



单位: mm

| 代号 | D | H | d | D1 | R |
|-------------------|-----|----|-----------|------|----|
| CTC-K10-0090600-d | 9 | 6 | 0.4-1.0 | 6.3 | 3 |
| CTC-K10-0120800-d | 12 | 8 | 0.5-2.5 | 8.5 | 5 |
| CTC-K10-0151000-d | 15 | 10 | 0.6-3.9 | 10.2 | 7 |
| CTC-K10-0201400-d | 20 | 14 | 1.0-5.5 | 14.2 | 10 |
| CTC-K10-0251800-d | 25 | 18 | 5.3-7.7 | 18 | 14 |
| CTC-K10-0302200-d | 30 | 22 | 6.7-11.7 | 21 | 15 |
| CTC-K10-0352500-d | 35 | 25 | 7.7-12.8 | 25 | 17 |
| CTC-K10-0402700-d | 40 | 27 | 10.3-15.3 | 29 | 21 |
| CTC-K10-0503000-d | 50 | 30 | 14.4-19.4 | 38 | 25 |
| CTC-K10-0603500-d | 60 | 35 | 18.5-25.5 | 46 | 31 |
| CTC-K10-0704000-d | 70 | 40 | 24.5-31.5 | 54 | 38 |
| CTC-K10-0804500-d | 80 | 45 | 30.5-38.5 | 62 | 46 |
| CTC-K10-0905000-d | 90 | 50 | 38.0-46.0 | 70 | 54 |
| CTC-K10-1005000-d | 100 | 50 | 45.0-54.0 | 78 | 60 |